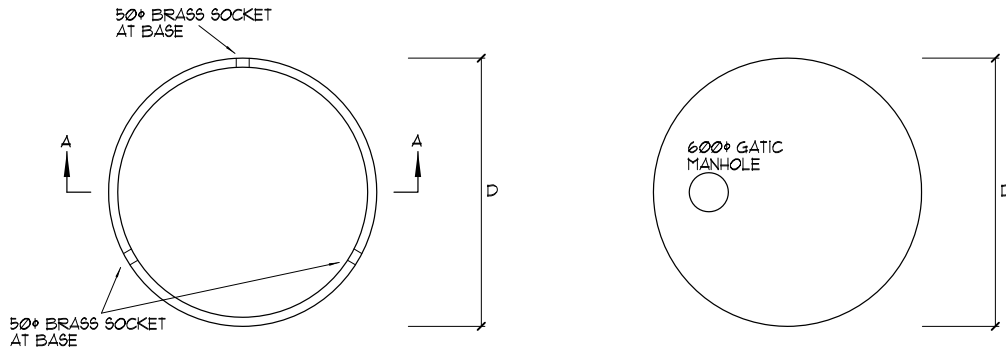
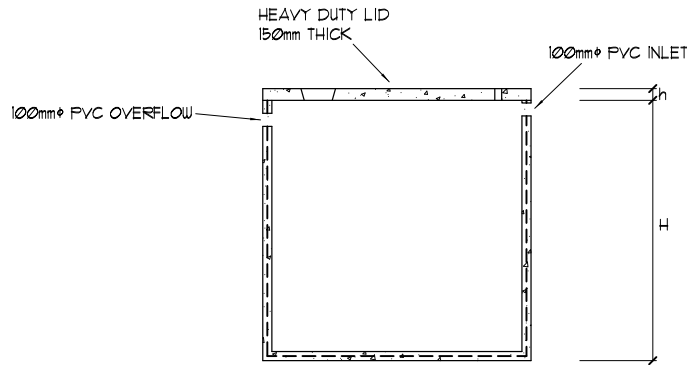


2200, 3500 & 5000 GALLON CONCRETE WATER TANK



PLAN (TANK)
SCALE 1:50

PLAN (LID)
SCALE 1:50



SECTION A-A
SCALE 1:50

| NORMAL LIQUID CAPACITY | | DIMENSIONS IN mm (TANK) | | DIMENSIONS IN mm (LID) | | INLET mm | OUTLET mm | DRAIN mm | OVERFLOW mm | WEIGHT TONNE |
|------------------------|---------|-------------------------|------|------------------------|-----|----------|-----------|----------|-------------|--------------|
| LITRES | GALLONS | D | H | D | h | | | | | |
| 16000 | 3500 | 3100 | 2530 | 3230 | 80 | 100 x 2 | 40 x 2 | 50 | 100 | 8.60 |
| 22500 | 5000 | 3470 | 2650 | 3530 | 100 | 100 x 2 | 40 x 2 | 50 | 100 | 10.50 |
| 10000 | 2200 | 3100 | 1700 | 3230 | 80 | 100 x 2 | 40 x 2 | 50 | 100 | |

NOTES

- FULLY REINFORCED & VIBRATED 32MPa CONCRETE
- SUITABLE FOR ABOVE & BELOW GROUND INSTALLATION
- DRAIN & OVERFLOW AT 12 o'clock
- OUTLETS AT 4 o'clock & 8 o'clock
- LID MANHOLE & INLETS CAN BE ALTERED TO SUIT INDIVIDUAL REQUIREMENTS
- TANK WALL THICKNESS 15mm

STATEWIDE CONCRETE PRODUCTS

22 KANOWNA STREET, HASTINGS
Ph (03) 5979 3349 Fax (03) 5979 1504

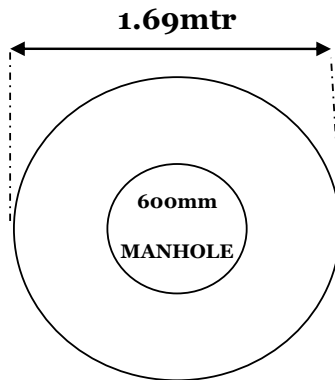
SCP-511

| | |
|---------|--------------------------|
| DRAWN | S.R.T. Drafting & Design |
| CHECKED | R.T. |
| DATE | 17/02/2010 |

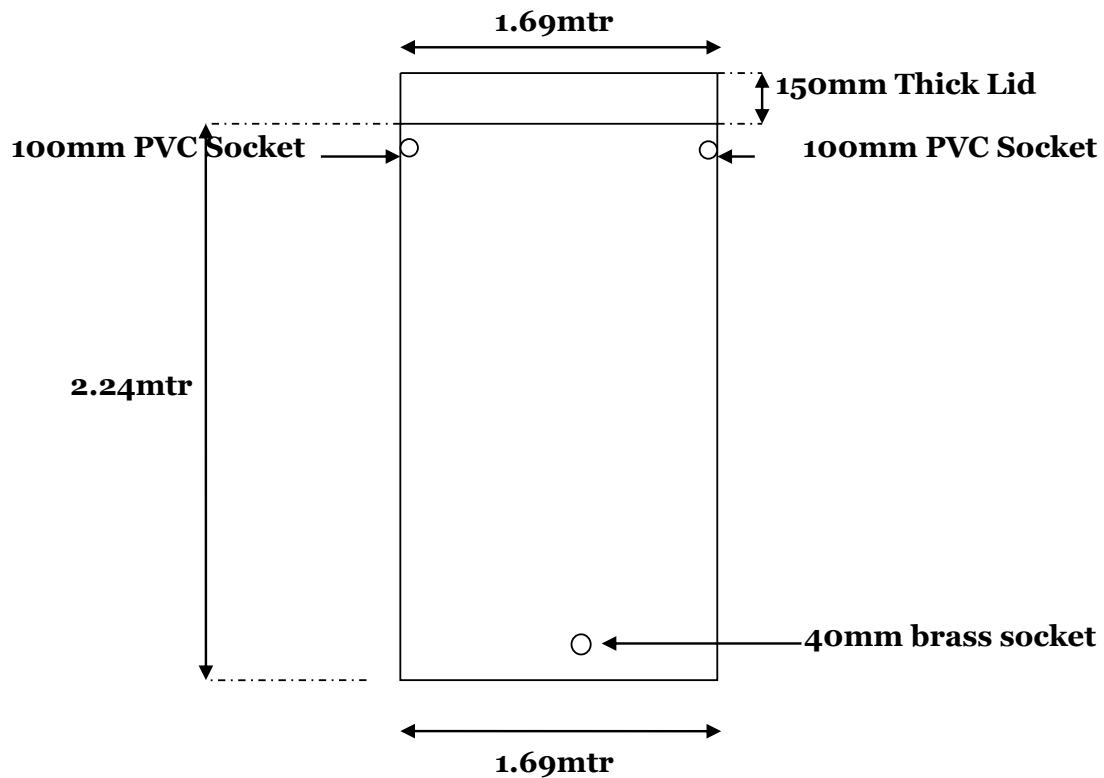
Statewide Concrete Products 22 Kanowna Street Hastings 3915
 Ph 5979 3349 Fax 5979 1504 Email: statewideconcrete@ozemail.com.au

3500lt Water Tank

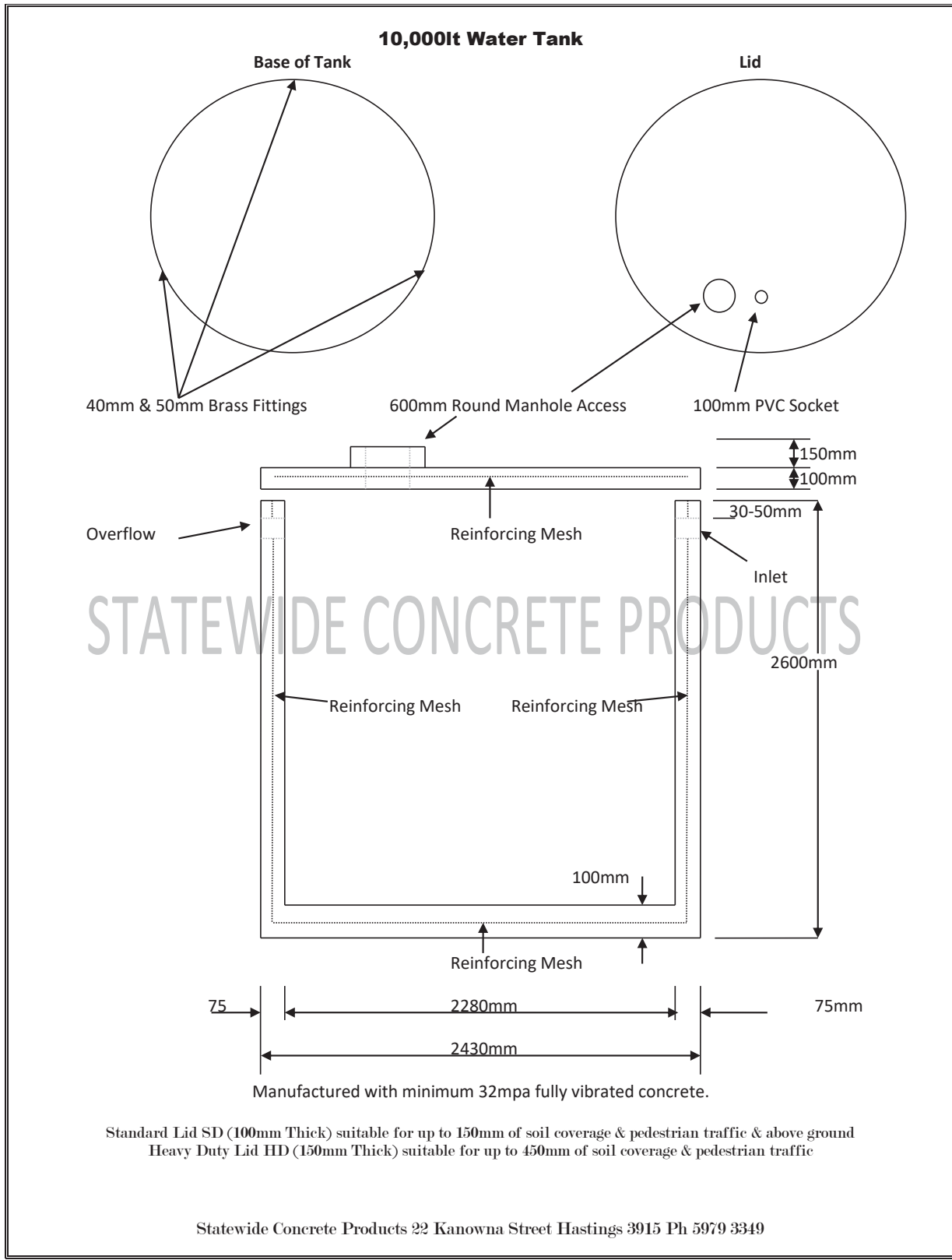
Lid



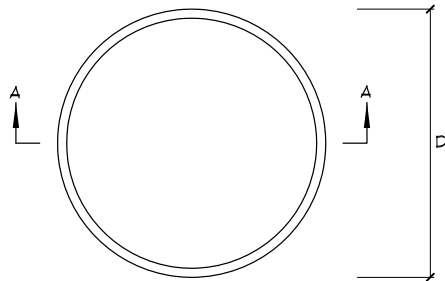
Water Tank



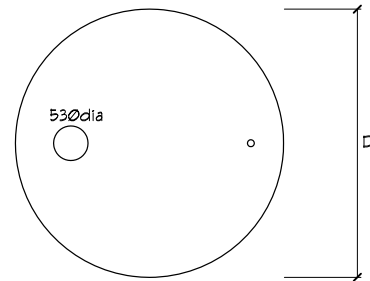
Statewide Concrete Products 22 Kanowna Street Hastings 3915
 Ph 5979 3349 Fax 5979 1504 Email: statewideconcrete@ozemail.com.au



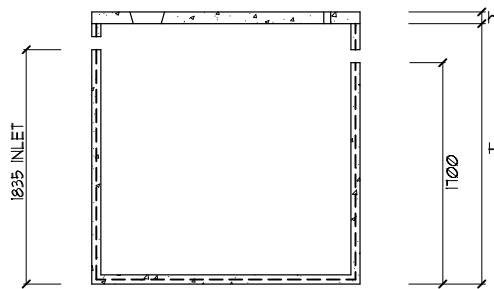
1000 GALLON PRECAST CONCRETE WATER TANK



PLAN (TANK)
SCALE 1:50



PLAN (LID)
SCALE 1:50



SECTION A-A
SCALE 1:50

| NORMAL LIQUID CAPACITY | | DIMENSIONS IN mm (TANK) | | DIMENSIONS IN mm (LID) | | INLET mm | OUTLET mm | DRAIN mm | OVERFLOW mm | WEIGHT TONNE |
|------------------------|---------|-------------------------|------|------------------------|----|----------|-----------|----------|-------------|--------------|
| LITRES | GALLONS | D | H | D | h | | | | | |
| 4500 | 1000 | 2060 | 2000 | 2060 | 90 | 100 | 32 | 32 | 100 | 4.50 |

NOTES

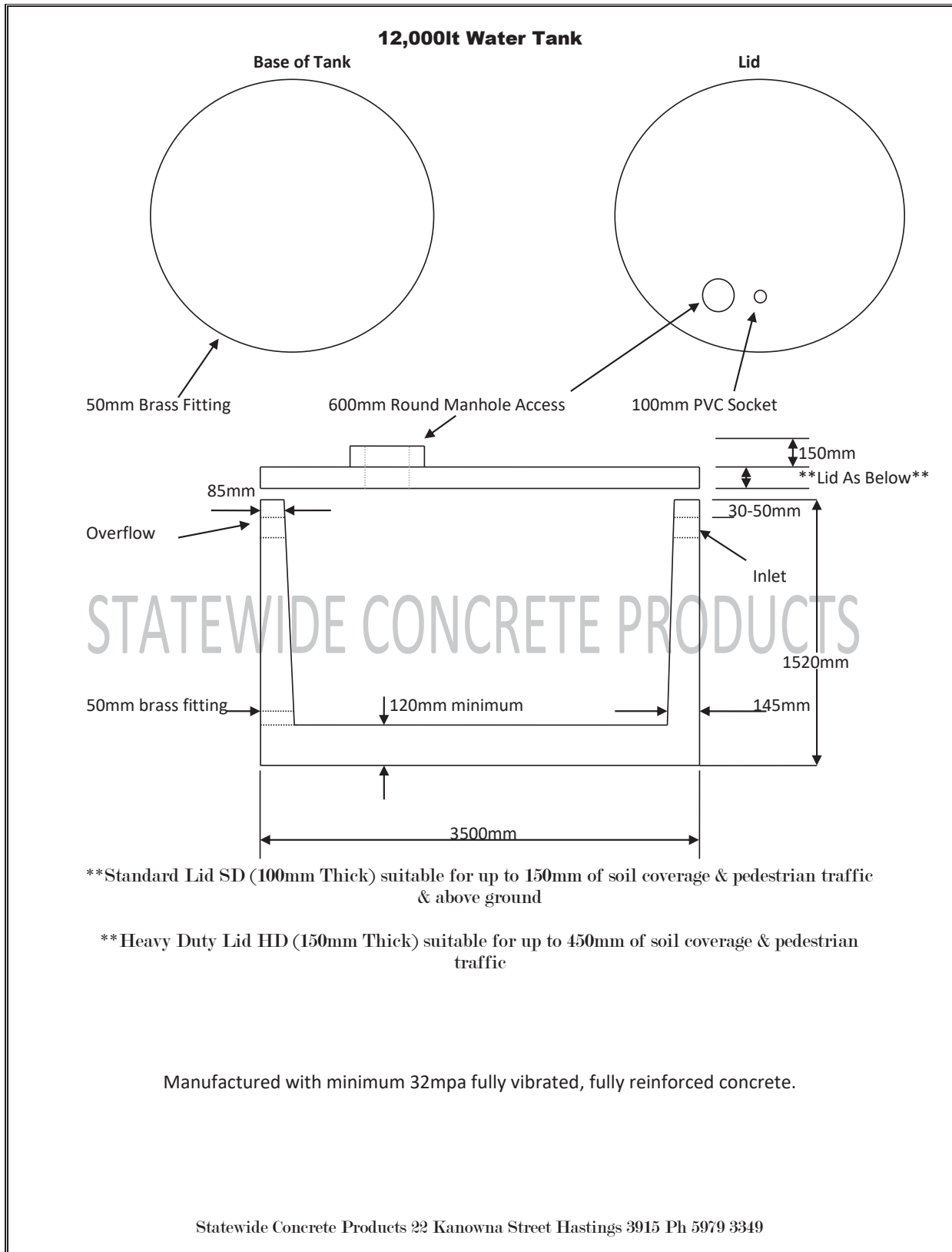
- FULLY REINFORCED & VIBRATED 32MPa CONCRETE
- SUITABLE FOR ABOVE & BELOW GROUND INSTALLATION
- INLET AT 12 o'clock
- OVERFLOW AT 6 o'clock
- OUTLET & DRAIN AT 3 & 9 o'clock
- TANK WALL THICKNESS 10mm

STATEWIDE CONCRETE PRODUCTS

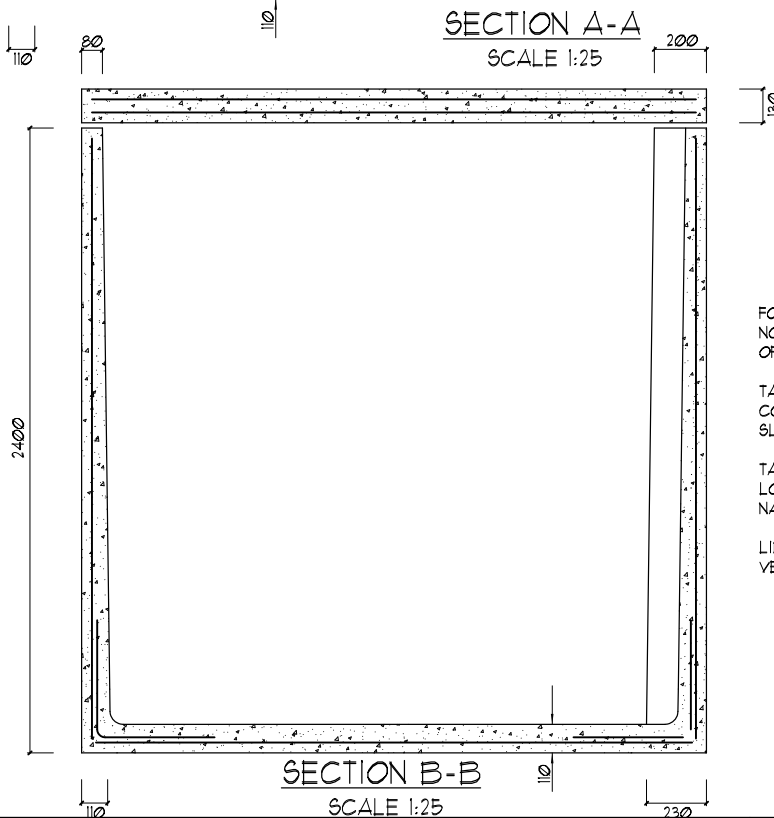
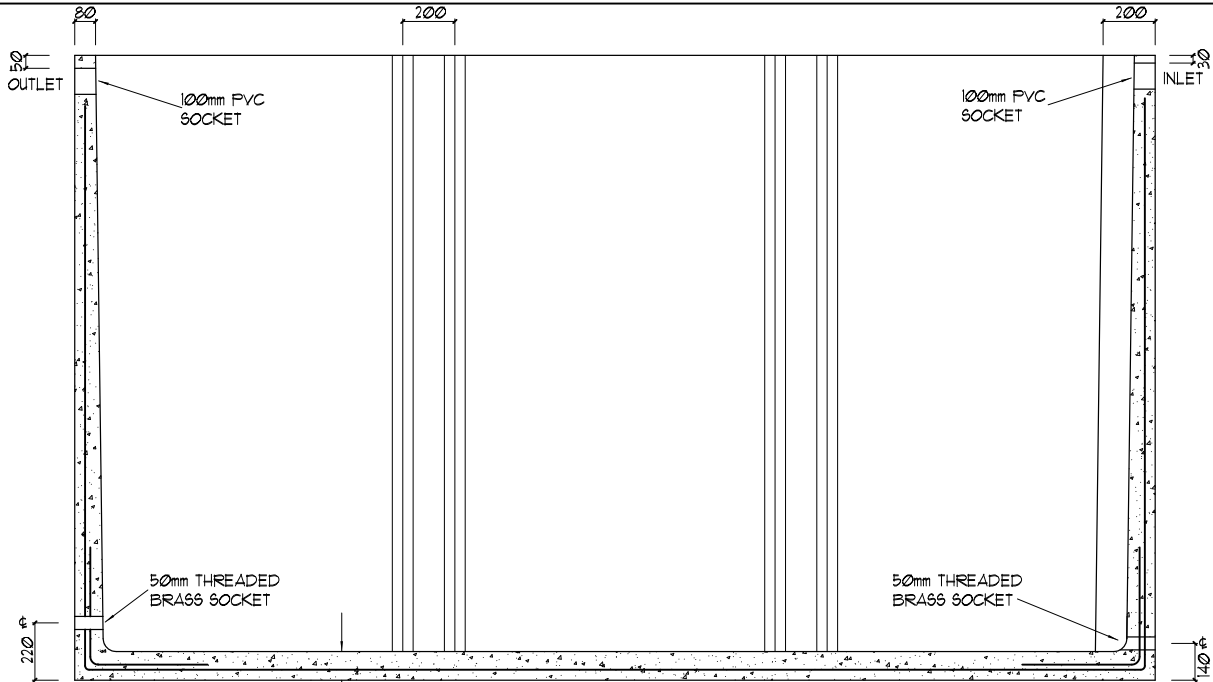
22 KANOWNA STREET, HASTINGS
Ph (03) 5979 3349 Fax (03) 5979 1504

SCP-510

| | |
|---------|--------------------------|
| DRAWN | S.R.T. Drafting & Design |
| CHECKED | R.T. |
| DATE | 14/4/2005 |



20,000 LITRE CONCRETE TANK



FOR TANKS IN GROUND, SOILS ARE TO BE NON-AGGRESSIVE WITH ONLY THE PRESENCE OF FRESH WATER PERMITTED.

TANKS TO BE BACKFILLED WITH STABILISING CONCRETE 10 SAND TO 1 CEMENT WITH SLURRY CONSISTENCY

TANKS ARE DESIGNED TO SUPPORT LATERAL LOADING OTHER THAN THAT APPLIED BY NATURAL MATERIAL

LIDS ARE DESIGNED TO CARRY 50 KPa VEHICLE LOADING UP TO 300mm SOIL COVER

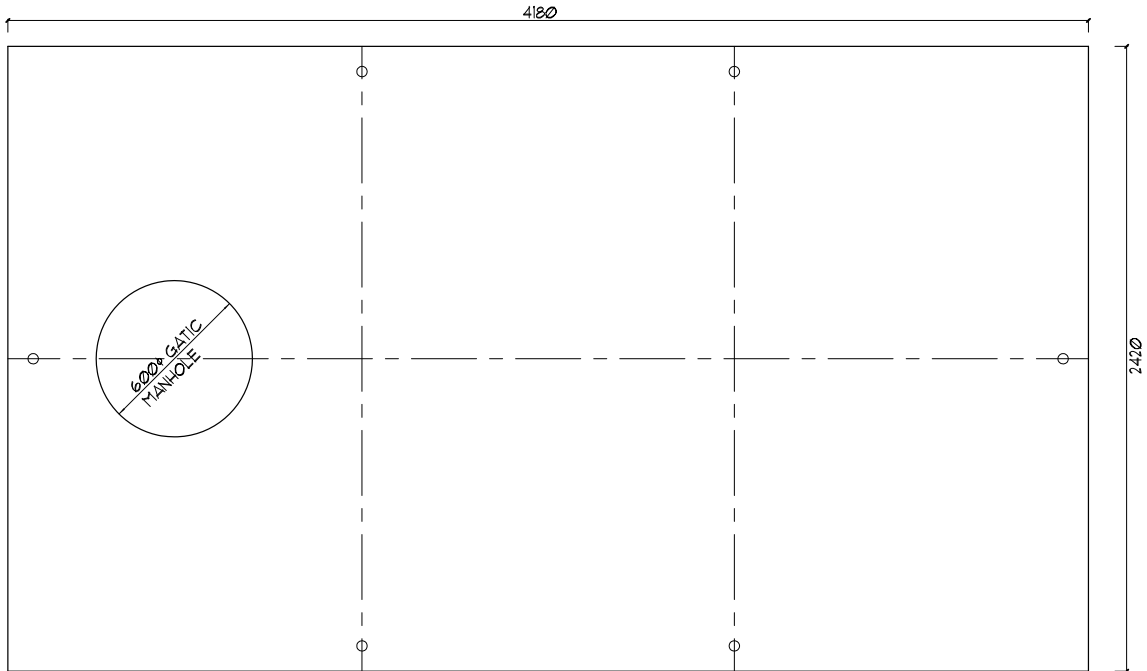
STATEWIDE CONCRETE PRODUCTS

22 KANOWNA STREET, HASTINGS
Ph (03) 5979 3349 Fax (03) 5979 1504

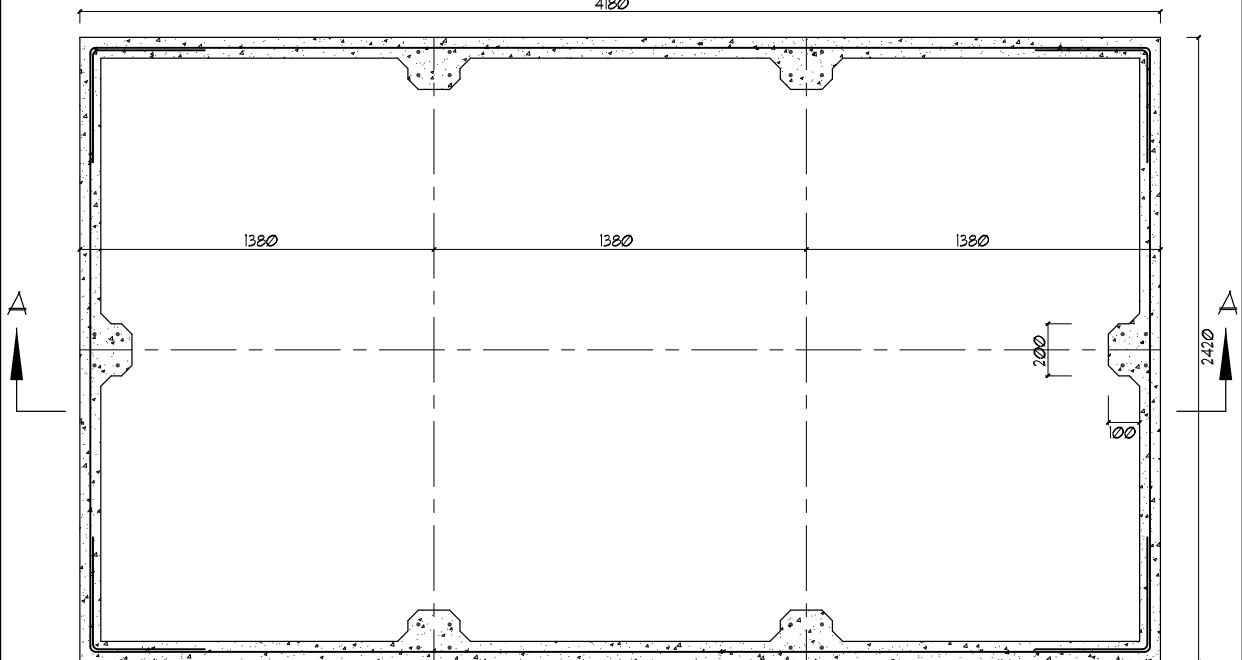
SCP-601

| | | |
|---------|--------------------------|--------|
| DRAWN | S.R.T. Drafting & Design | |
| CHECKED | R.T. | |
| DATE | 18/12/2009 | 2 OF 2 |

20,000 LITRE CONCRETE TANK



LID PLAN
SCALE 1:25
4180



PLAN
SCALE 1:25

**STATEWIDE CONCRETE
PRODUCTS**

22 KANOWNA STREET, HASTINGS
Ph (03) 5979 3349 Fax (03) 5979 1504

SCP-601

| | |
|---------|--------------------------|
| DRAWN | S.R.T. Drafting & Design |
| CHECKED | R.T. |
| DATE | 18/12/2009 1 OF 2 |