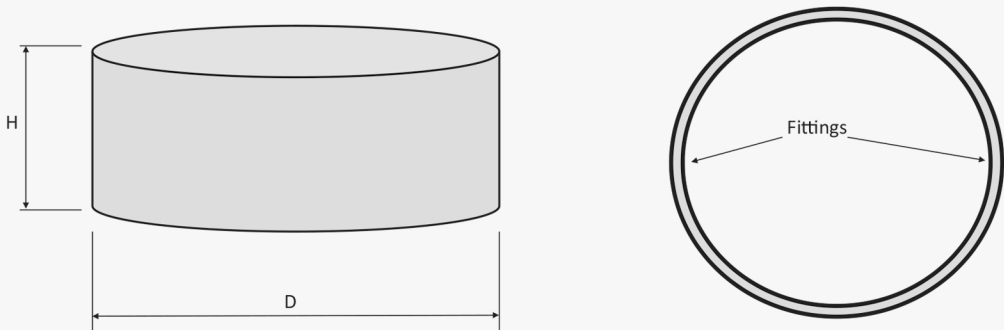
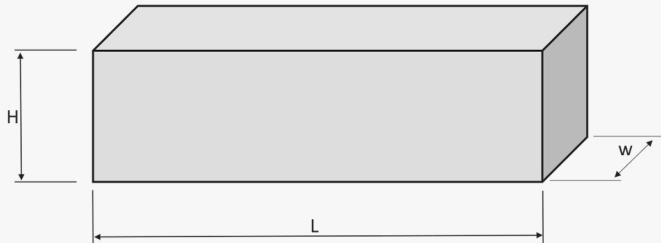


STATEWIDE CONCRETE PRODUCTS

PRECAST RAISED GARDEN BEDS & PONDS.



Volume		Common Name	Dimensions (mm)			Fittings
Litres	Gallons		D	H with Base (approx)	H without Base (approx)	
5850	1300	11ft 6"	3500	760	660	2 x Brass 40mm threaded sockets
3600	800	9ft DEEP	2600	860	760	
3150	700	9ft	2600	700	600	
1800	400	7ft	2140	680	580	
990	220	5ft	1615	620	520	2 x Brass 25mm threaded sockets
450	100	4ft	1310	480	400	
300	60	2ft X 2 ft	760	680	610	
200	45	3ft x 15"	820	420	350	



Volume Litres	Common	Dimensions (mm)				Fittings
	Name	L	W	H with base (approx)	H without base (approx)	
1440	8ft X 4ft	2415	1200	710	620	2 x 40mm Brass threaded sockets
750	7ft X 2ft	2200	820	620	530	

Not all concrete products are the same! Many use fibreglass reinforcing.

*Our products are manufactured with **STEEL REINFORCED** concrete to a minimum 32mpa vibrated to remove air pockets ensuring water tightness & longest life.*

Invest in your products once and save the pain and disappointment of cracks and leaks over time.

Statewide Concrete Products 22 Kanowna Street Hastings 3915 Ph 5979 3349