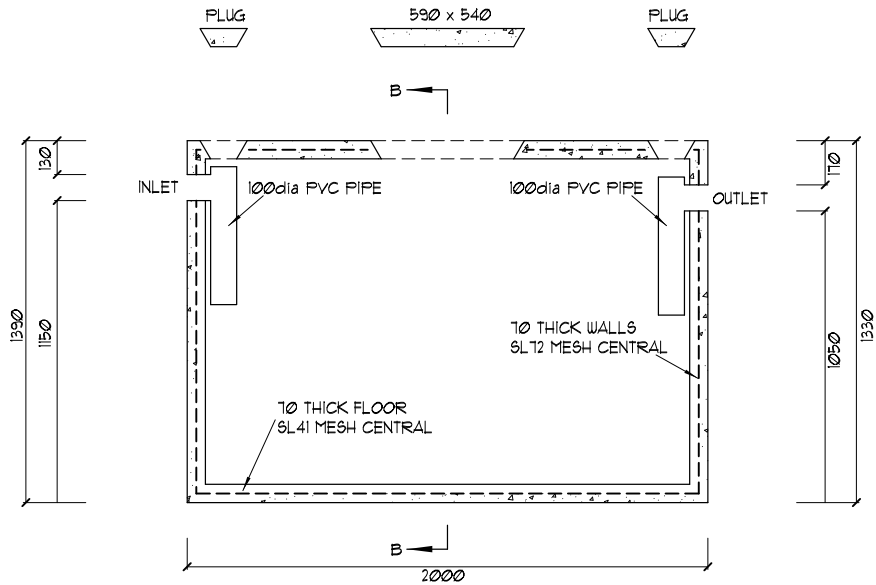
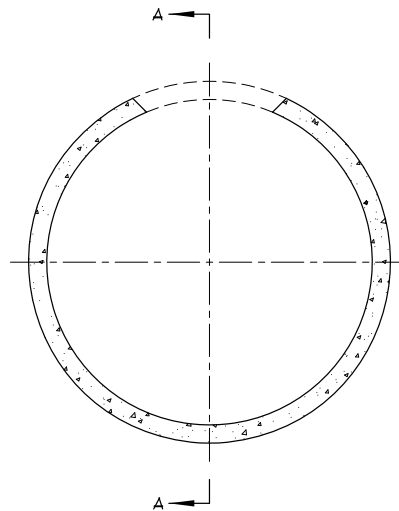


1850 LITRE PRECAST CONCRETE SEPTIC TANK



SECTION A-A
SCALE 1:25



SECTION B-B
SCALE 1:25

NOTES

- CONCRETE STRENGTH AT 28 DAYS 32 MPa
- REINFORCEMENT SL41 CENTRAL
- ALL DIMENSIONS ARE IN MILLIMETRES UNO.
- WEIGHT APPROX 2000kg

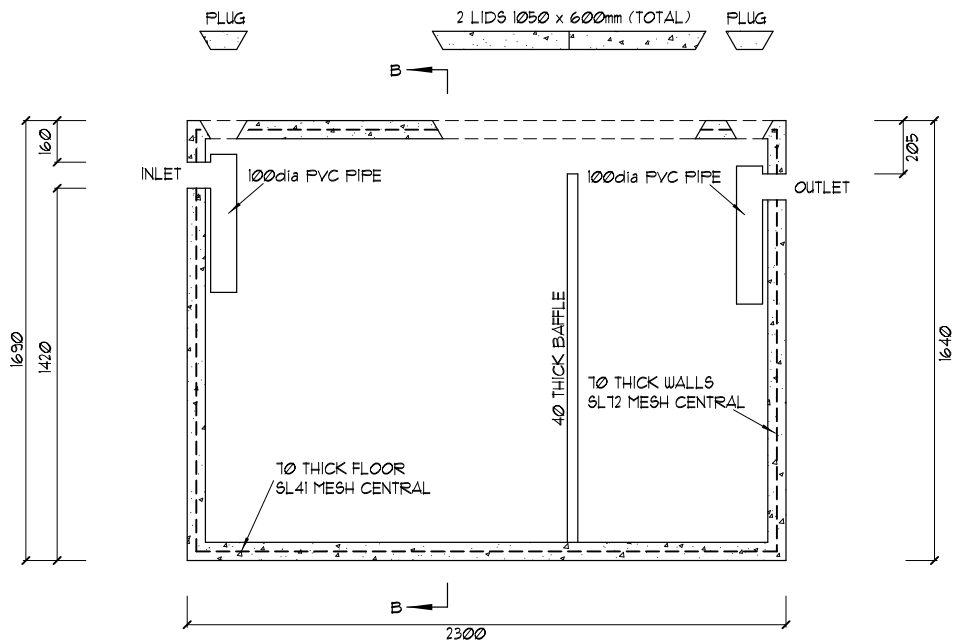
**STATEWIDE CONCRETE
PRODUCTS**

22 KANOWNA STREET, HASTINGS
Ph (03) 5979 3349 Fax (03) 5979 1504

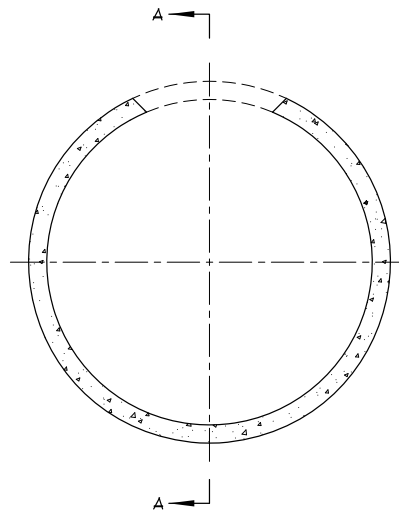
SCP-402

DRAWN	S.R.T. Drafting & Design
CHECKED	R.T.
DATE	7/11/2004

3200 LITRE PRECAST CONCRETE SEPTIC TANK



SECTION A-A
SCALE 1:25



SECTION B-B
SCALE 1:25

NOTES

- CONCRETE STRENGTH AT 28 DAYS 32 MPa
- REINFORCEMENT SL41 CENTRAL
- ALL DIMENSIONS ARE IN MILLIMETRES UNO.
- WEIGHT APPROX 3000kg

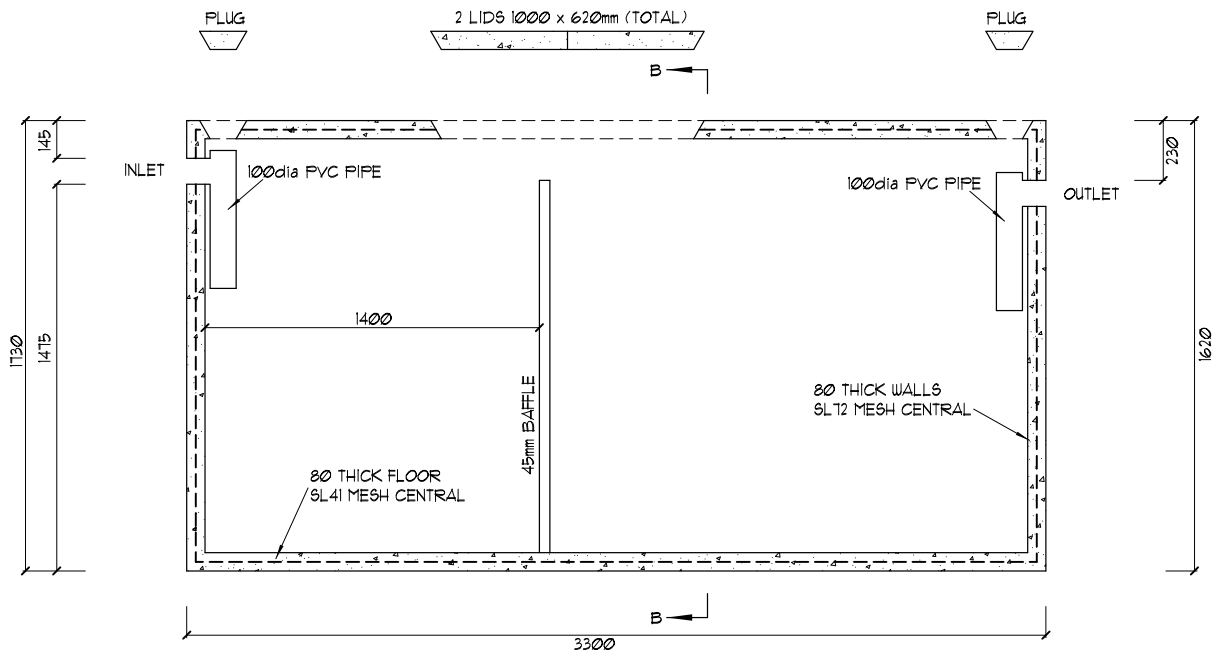
STATEWIDE CONCRETE PRODUCTS

22 KANOWNA STREET, HASTINGS
Ph (03) 5979 3349 Fax (03) 5979 1504

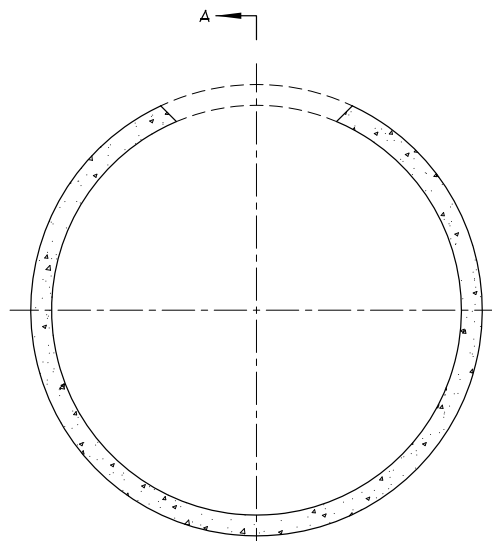
SCP-403

DRAWN	S.R.T. Drafting & Design
CHECKED	R.T.
DATE	7/11/2004

5000 LITRE PRECAST CONCRETE SEPTIC TANK



SECTION A-A
SCALE 1:25



SECTION B-B
SCALE 1:25

NOTES

- CONCRETE STRENGTH AT 28 DAYS 32 MPa
- REINFORCEMENT SL41 CENTRAL
- ALL DIMENSIONS ARE IN MILLIMETRES UNO.
- WEIGHT APPROX 4000kg

**STATEWIDE CONCRETE
PRODUCTS**

22 KANOWNA STREET, HASTINGS
Ph (03) 5979 3349 Fax (03) 5979 1504

SCP-404

DRAWN	S.R.T. Drafting & Design
CHECKED	R.T.
DATE	7/11/2004